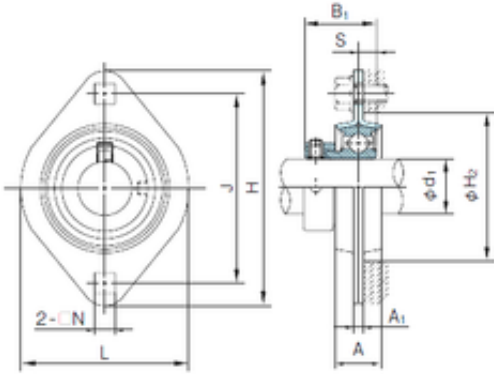




????? ???????????????????...

NACHI KHPFL203A



Bearing No. KHPFL203A

Bore Diameter	17 mm
d	17 mm
H	81 mm
A	14 mm
A1	4 mm
B	28.6 mm
H2	49 mm
J	63.5 mm
L	59 mm
N	7 mm
S	6.5 mm
Bolt (G)	M6

KHPFL203A Bearing 2D drawings and 3D CAD models