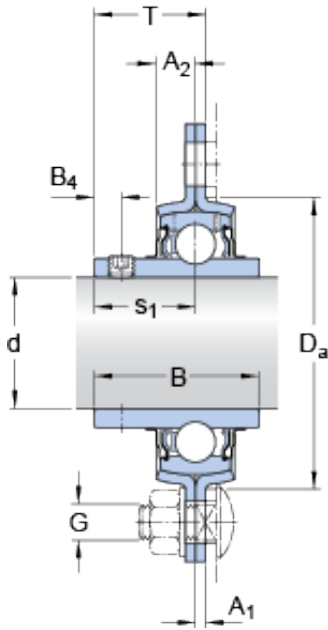




????? ???????????????????...



PF 15 TF Bearing 2D drawings and 3D CAD models

SKF PF 15 TF

Bearing No. PF 15 TF

Size	15x2x7 mm
Bore Diameter	15 mm
Outer Diameter	2 mm
Width	7 mm
d	15 mm
A ₁	2 mm
A ₂	7 mm
B	27.4 mm
B ₄	4 mm
D _a - min.	44 mm
J	63 mm
H	81 mm
H	7.1 mm
s ₁	15.9 mm
T	17.9 mm
Basic dynamic load rating - C	9.6 kN
Basic static load rating - C ₀	4.8 kN
Fatigue load limit - P _u	0.2 kN
Permissible radial housing load	max. 2.5 kN
Weight	0.23 kg
Thread - G ₂	M6x0.75
Hexagonal key size for grub screw - H	3 mm



????? ???????????????????...

Housing material	Pressed steel
A ₁	2 mm
A ₂	7 mm
B ₄	4 mm
D _a min.	44 mm
N	7.1 mm
s ₁	15.9 mm
Basic dynamic load rating C	9.56 kN
Basic static load rating C ₀	4.75 kN
Fatigue load limit P _u	0.2 kN
Permissible radial housing load max.	2.5 kN
Mass unit	0.23 kg
Thread grub screw G ₂	M6x0.75
Hexagonal key size for grub screw N	3 mm
Recommended tightening torque for grub screw	4 N · m
Recommended diameter for attachment bolts, mm G	6 mm
Recommended diameter for attachment bolts, inch G	0.25 in