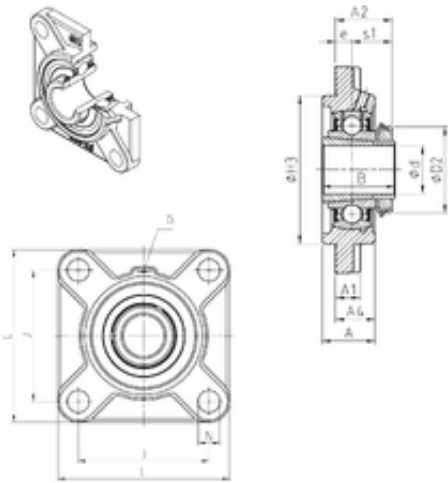




????? ???????????????...



### SNR UKFS316H

Bearing No. UKFS316H

Bore Diameter	70 mm
d	70 mm
H3	210 mm
A4	48 mm
e	18 mm
s1	44,5 mm
A	68 mm
A1	27 mm
B	78 mm
D2	105 mm
J	196 mm
L	250 mm
N	31 mm
Thread (G)	M10x1
A2	62,5 mm
Weight	15,1 Kg
Basic dynamic load rating (C)	122,85 kN

UKFS316H Bearing 2D drawings and 3D CAD models