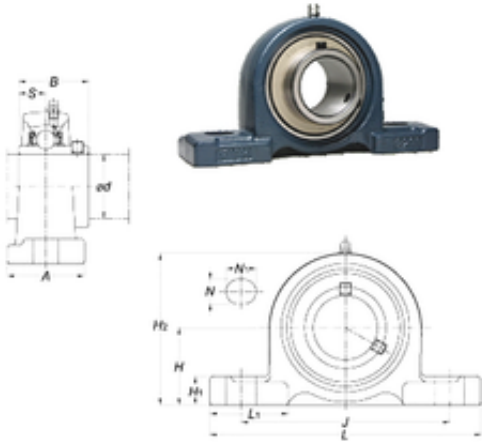




????? ???????????????????...

FYH UCPX08



Bearing No. UCPX08

Bore Diameter	40 mm
Width	49,2 mm
d	40 mm
A	67 mm
B	49,2 mm
H	58,7 mm
H1	21 mm
H2	114 mm
J	156 mm
L	222 mm
L1	71 mm
N	20 mm
N1	32 mm
S	19 mm
Bolt (G)	M16
Weight	3,5 Kg
Basic dynamic load rating (C)	34,1 kN
Basic static load rating (C0)	21,3 kN
Category	Mounted Units & Inserts
Inventory	0.0
Manufacturer Name	FYH BEARING UNITS
Minimum Buy Quantity	N/A
Weight / Kilogram	0
Product Group	M06110

UCPX08 Bearing 2D drawings and 3D CAD models