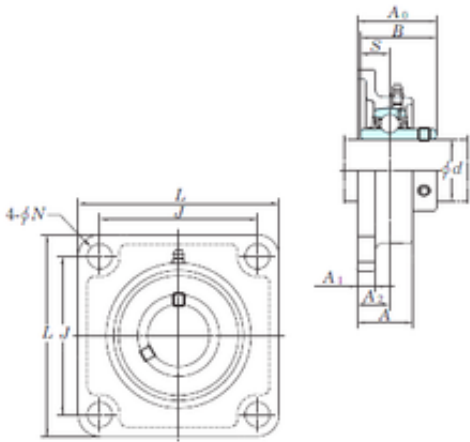




????? ???????????????...



## KOYO UCSF206H1S6

Bearing No. UCSF206H1S6

Bore Diameter	30 mm
d	30 mm
A0	40,2 mm
A	31 mm
A1	10 mm
B	38,1 mm
J	83 mm
L	108 mm
N	12 mm
S	15,9 mm
Bolt (G)	M10
A2	18 mm
Weight	1,1 Kg
Basic dynamic load rating (C)	16,5 kN
Basic static load rating (C0)	9,05 kN

UCSF206H1S6 Bearing 2D drawings and 3D CAD models