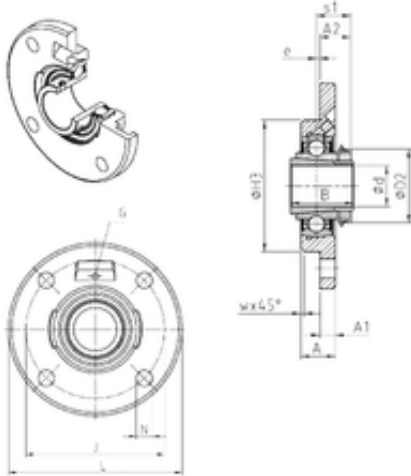




????? ???????????????????...



SNR UKFCE216H

Bearing No. UKFCE216H

Bore Diameter	70 mm
d	70 mm
H3	160 mm
e -	2
s1	39 mm
A	33 mm
A1	18,5 mm
B	78 mm
D2	105 mm
J	184 mm
L	220 mm
N	18 mm
W	6 mm
Thread (G)	R1/8"
A2	37 mm
Weight	6,1 Kg
Basic dynamic load rating (C)	72,5 kN

UKFCE216H Bearing 2D drawings and 3D CAD models