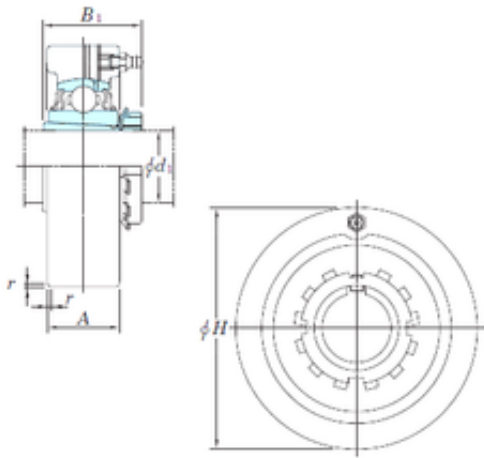




????? ???????????????...



KOYO UKC316

Bearing No. UKC316

Bore Diameter	70 mm
d	70 mm
r	4 mm
A	60 mm
B1	78 mm
H	200 mm
Weight	9,2 Kg
Basic dynamic load rating (C)	123 kN
Basic static load rating (C0)	86,7 kN

UKC316 Bearing 2D drawings and 3D CAD models